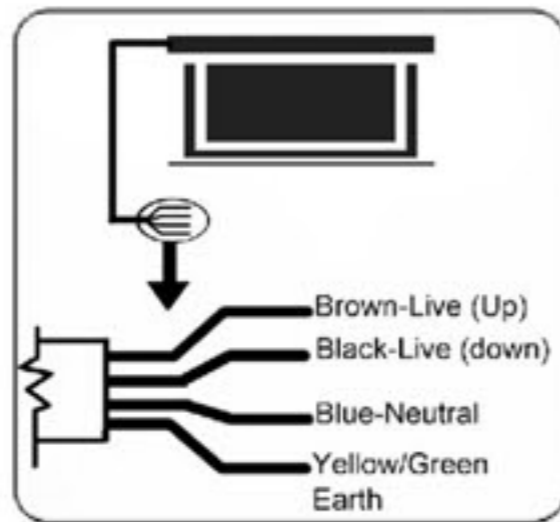


Liberty VEGA SHOW

SUPREME TAB TENSION SCREEN USER MANUAL

Product Electrical specification

Voltage: 100V~120V 60Hz
220V~240V 50Hz
Power: 130W (MAX)

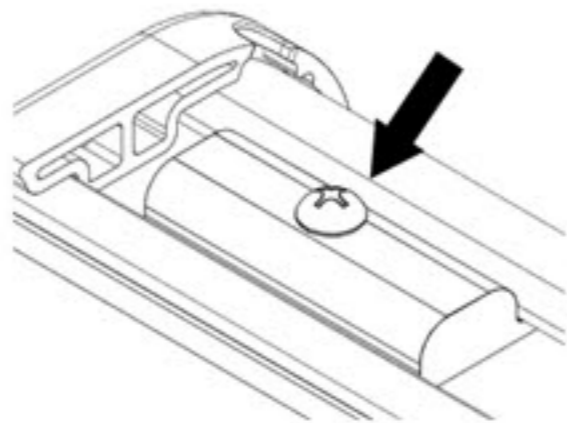


Installation Method

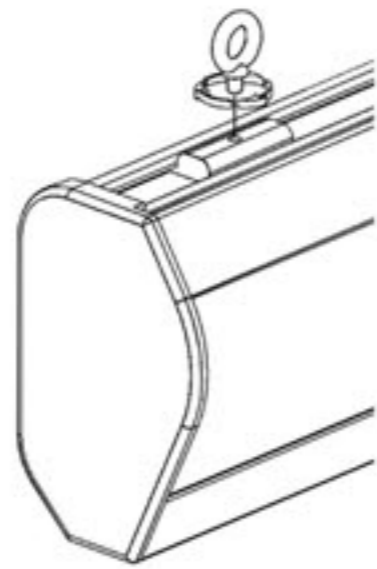
Install the screen in the location where the audience can see the whole screen when it is fully extended. The screen can be wall mounted or ceiling mounted, users may choose the mounting method according to their needs. Whichever method of mounting is used, ensure the right equipment is used. For mounting on the wall or on wooden surface ceiling, use $\varnothing 5 \times 35$ mm Screws.

Ceiling Hanging:

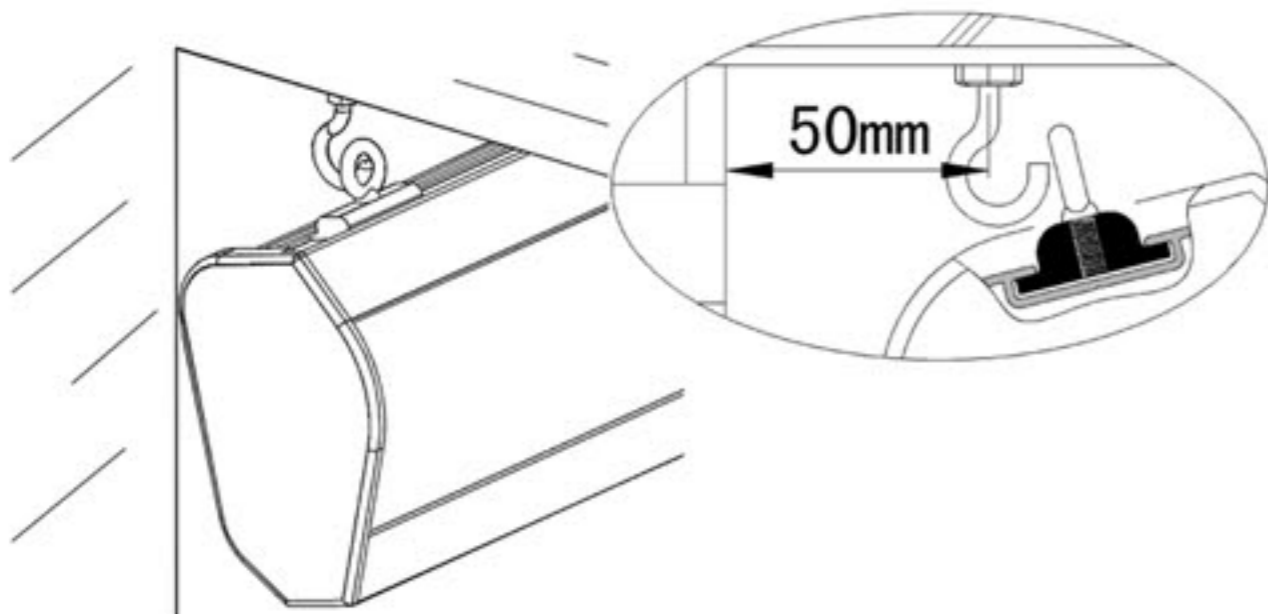
Unscrew the locking screws on both sliding pieces.



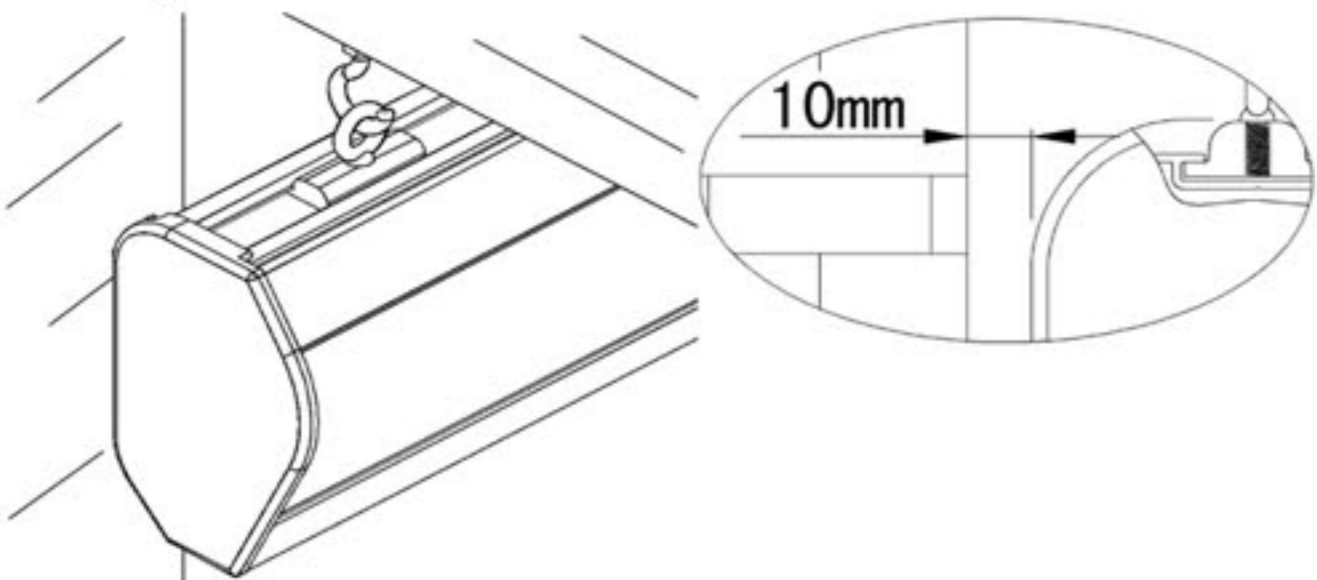
Move the sliding pieces to desired position. Tighten the holding ring on both sliding pieces until the sliding pieces donot slide freely on the housing.



The "J" hook should in installed at least 50mm from the wall

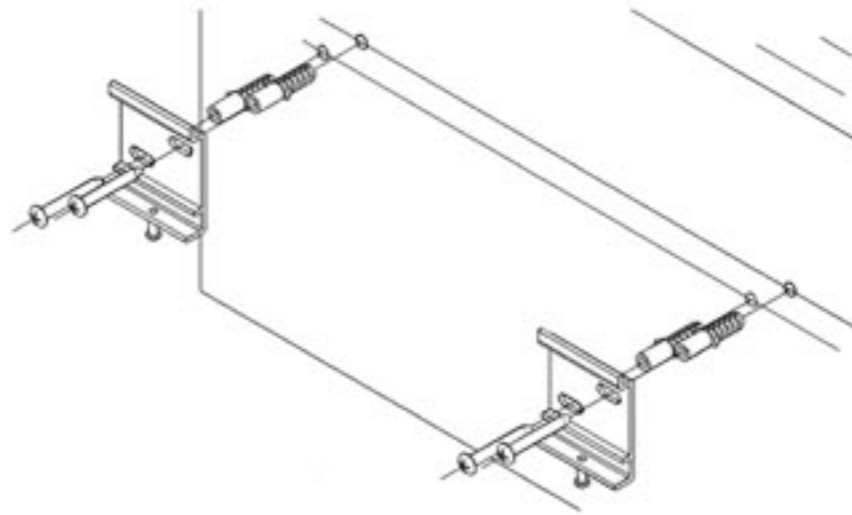


There is a 10mm clearance between the wall and the screen housing after installation

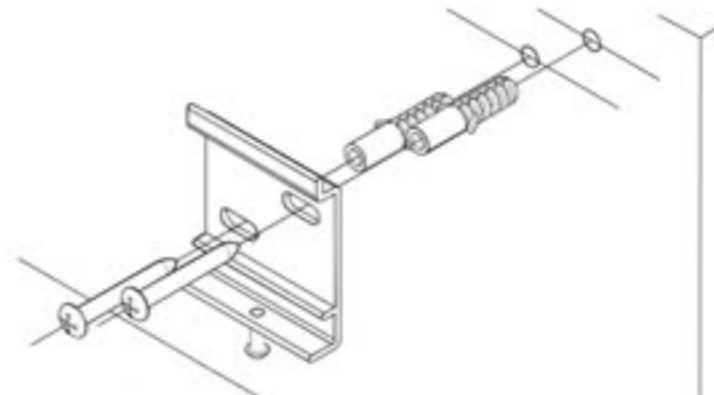


Wall Mounting:

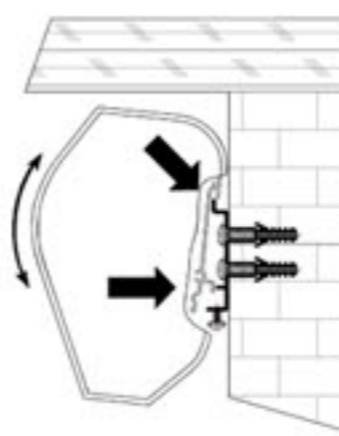
For mounting on a brick, concrete or plaster surface use $\varnothing 5 \times 35$ mm screws with screw anchors or wall plugs.



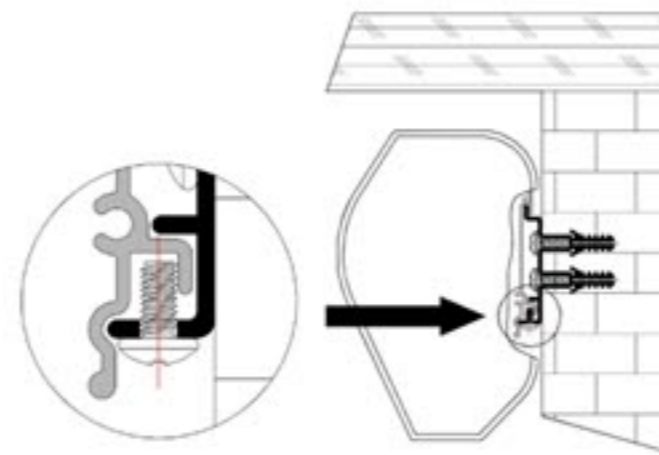
Mark 2 horizontal parallel lines on wall at desired height. Drill holes on wall According to the openings on wall mount bracket



Insert the provided plastic anchor into the holes. Thenfasten the wall mount brackets on wall.



Hang the screen onto the wall mount bracket as shown on diagram



Afterwards tighten the securing screw, Prevention the screw comes out from wall mount bracket.

Screen operation

Wireless control unit operation

To lower the projection surface

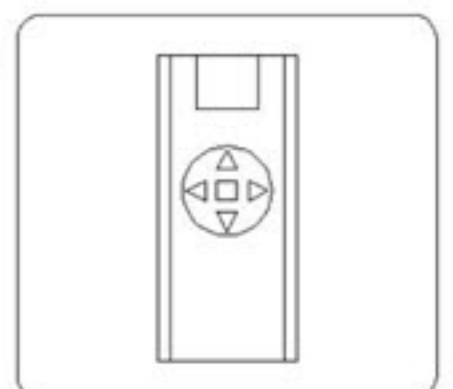
press the bottom button on the control unit, the projection surface will lower itself, when it is fully extended it will stop automatically.

To retract the projection surface

press the top button on the control unit, the projection surface will retract into its case, when it is fully retracted it will stop automatically.

To stop the projection surface

manually at anintermediate position, press the middle button on the control unit. For detail remote control set-up, please refer to the individual remote Control Manual



Adjusting method

Lower Limit



Goes Down
Upper Limit



Goes Up

Lower limit--Adjust the the stopping level of slat When fully extend.Turn "lower limit" switch in Counterclockwise direction let the slat go closer to the ground
Upper limit--Adjust the the stopping level of slat When fully extend.Turn "Upper limit" switch in Counterclockwise direction let the slat go closer to the casing

